

Accessories for series

BM-01, BME-01

Manifolds



Manifold will be delivered completely assembled with valves if requested.



Manifold with n/stations. Ports on the side.
RF-01-AB/n



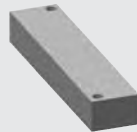
Manifold with n/stations. Ports on the side and the top.
RF-01-CD/n



Manifold with n/stations. Ports on both sides and top.
RF-01-AD/n



One station element.
RF-01-Z



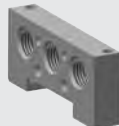
Blind plate for blank valve station.
RF-01-V



Adapter plate for additional air supply and exhaust.
RF-01-PE



End plate A with side ports.
RF-01-EA



End plate B with side ports.
RF-01-EB



End plate C with side and top ports.
RF-01-EC



End plate D with side and top ports.
RF-01-ED

Additional single elements: **RF-01-ZE** "Add-on" element to add one valve station.
RF-01-DT Seal plate for two different pressures.
RE-26-RSV Check valve for dynamic exhaust pressures.

User information

Modular manifold system for valve series BM-01. The assembled manifold consists of one station elements (RF-01-Z) and end plates with common supply and exhaust ports. The end plates contain ports to the side (RF-01-EA, RF-01-EB) or at the top and the side (RF-01-EC, RF-01-ED).

The manifolds are quickly assembled with the 4 screws and a hexagonal nut. Adding or removing stations is possible at any time.

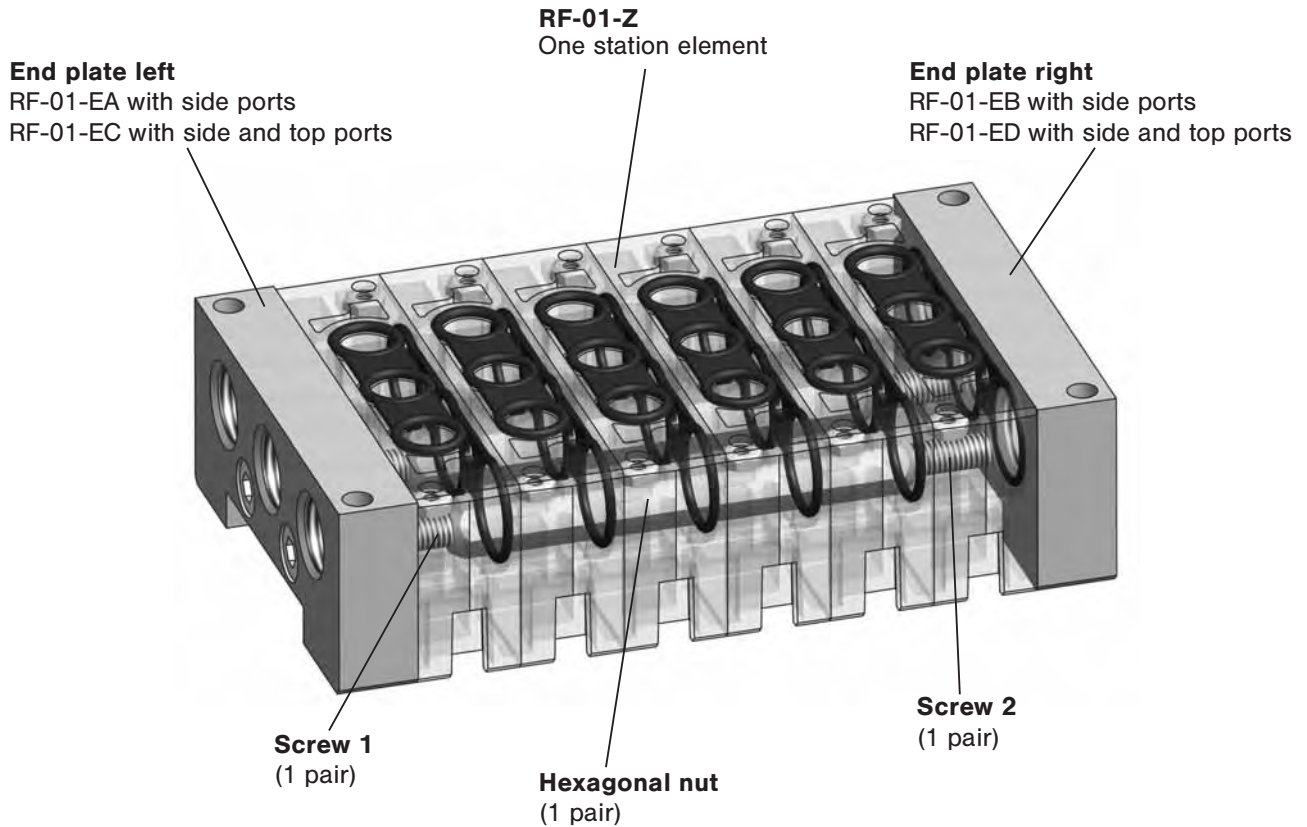
The manifold can be either DIN-rail mounted, screw on by 4 M5 screws or flange mounting via M4 screws.

The necessary seals and screws for valve mounting are included in the scope of delivery.

Accessories for series

BM-01, BME-01

Manifold design



User information

To add stations to the manifold without changing screws and nut, the set RF-01-ZE is available. This contains a one station element, a screw to extend the hexagonal nut and seals and screws for valve mounting.

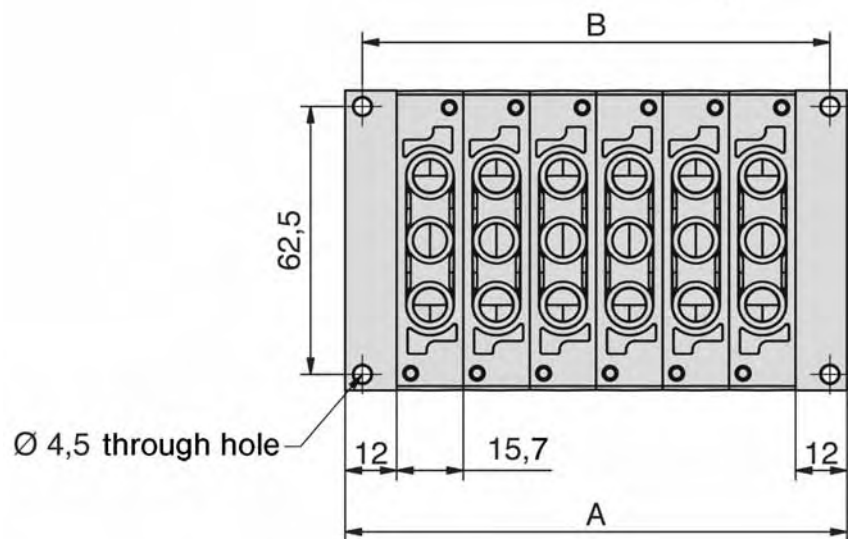
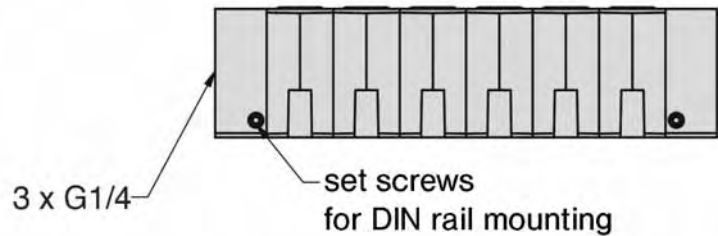
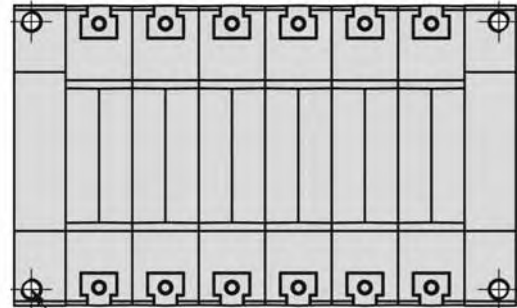
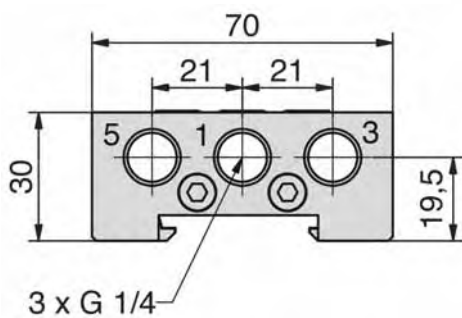
Order number	Hexagonal nut	Screw 1	Screw 2
RF-01-AB/02	21-R-07-07/05	M 5 x 16	M 5 x 16
RF-01-AB/03	21-R-07-07/05	M 5 x 25	M 5 x 25
RF-01-AB/04	21-R-07-07/05	M 5 x 30	M 5 x 30
RF-01-AB/05	21-R-07-07/2	M 5 x 20	M 5 x 20
RF-01-AB/06	21-R-07-07/2	M 5 x 25	M 5 x 25
RF-01-AB/07	21-R-07-07/2	M 5 x 35	M 5 x 35
RF-01-AB/08	21-R-07-07/2	M 5 x 40	M 5 x 40
RF-01-AB/09	21-R-07-07/4	M 5 x 16	M 5 x 16
RF-01-AB/10	21-R-07-07/4	M 5 x 25	M 5 x 25
RF-01-AB/11	21-R-07-07/4	M 5 x 35	M 5 x 35
RF-01-AB/12	21-R-07-07/4	M 5 x 40	M 5 x 40

Order number	Hexagonal nut	Screw 1	Screw 2
RF-01-CD/02	21-R-07-07/05	M 5 x 30	M 5 x 30
RF-01-CD/03	21-R-07-07/05	M 5 x 35	M 5 x 35
RF-01-CD/04	21-R-07-07/05	M 5 x 45	M 5 x 45
RF-01-CD/05	21-R-07-07/2	M 5 x 30	M 5 x 30
RF-01-CD/06	21-R-07-07/2	M 5 x 40	M 5 x 40
RF-01-CD/07	21-R-07-07/2	M 5 x 45	M 5 x 45
RF-01-CD/08	21-R-07-07/2	M 5 x 55	M 5 x 55
RF-01-CD/09	21-R-07-07/4	M 5 x 30	M 5 x 30
RF-01-CD/10	21-R-07-07/4	M 5 x 40	M 5 x 40
RF-01-CD/11	21-R-07-07/4	M 5 x 45	M 5 x 45
RF-01-CD/12	21-R-07-07/4	M 5 x 55	M 5 x 55

Order number	Hexagonal nut	Screw 1	Screw 2
RF-01-AD/02	21-R-07-07/05	M 5 x 16	M 5 x 30
RF-01-AD/03	21-R-07-07/05	M 5 x 25	M 5 x 35
RF-01-AD/04	21-R-07-07/05	M 5 x 30	M 5 x 45
RF-01-AD/05	21-R-07-07/2	M 5 x 20	M 5 x 30
RF-01-AD/06	21-R-07-07/2	M 5 x 25	M 5 x 40
RF-01-AD/07	21-R-07-07/2	M 5 x 35	M 5 x 45
RF-01-AD/08	21-R-07-07/2	M 5 x 40	M 5 x 55
RF-01-AD/09	21-R-07-07/4	M 5 x 16	M 5 x 30
RF-01-AD/10	21-R-07-07/4	M 5 x 25	M 5 x 40
RF-01-AD/11	21-R-07-07/4	M 5 x 35	M 5 x 45
RF-01-AD/12	21-R-07-07/4	M 5 x 40	M 5 x 55

Dimensions for manifolds

RF-01-AB

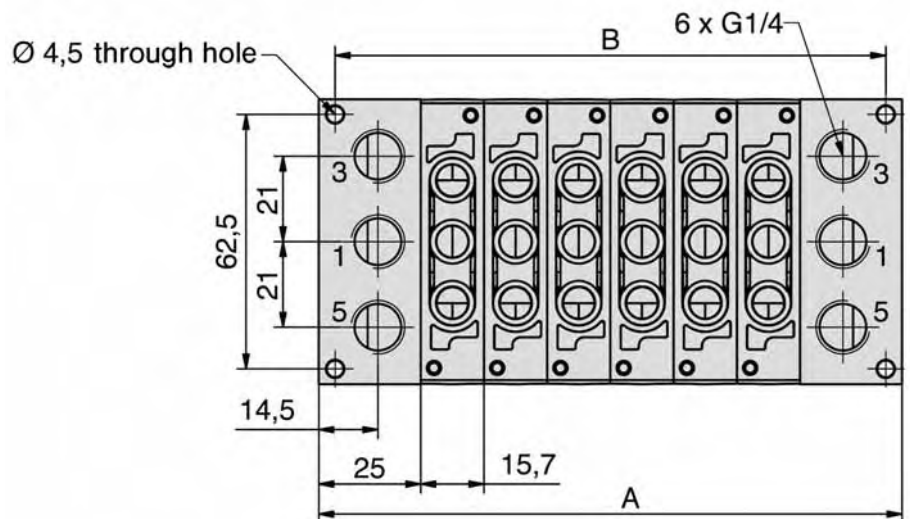
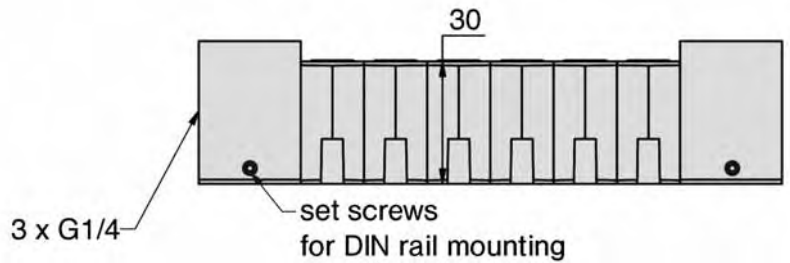
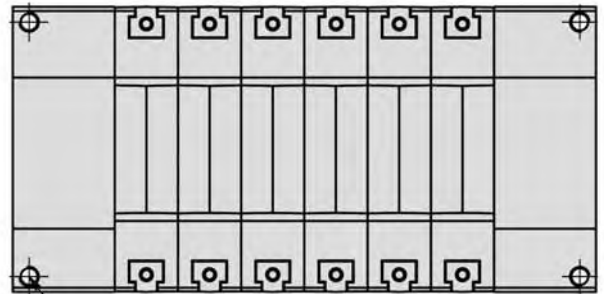
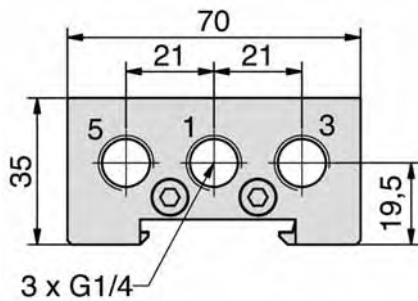


Materials: End plate Al (anodized), 1 station element PA,
Seals NBR, Screws steel zinc plated

Order number	A	B	Weight
RF-01-AB/02	55.4 + 0.3 /- 0.2	47.2 + 0.2 /- 0.1	0.150 kg (0.331 lb.)
RF-01-AB/03	71.1 + 0.35/- 0.2	63.1 + 0.25/- 0.1	0.190 kg (0.419 lb.)
RF-01-AB/04	86.8 + 0.4 /- 0.2	78.8 + 0.3 /- 0.1	0.230 kg (0.507 lb.)
RF-01-AB/05	102.5 + 0.45/- 0.2	94.5 + 0.35/- 0.1	0.270 kg (0.595 lb.)
RF-01-AB/06	118.2 + 0.5 /- 0.2	110.2 + 0.4 /- 0.1	0.310 kg (0.683 lb.)
RF-01-AB/07	133.9 + 0.55/- 0.2	125.9 + 0.45/- 0.1	0.350 kg (0.772 lb.)
RF-01-AB/08	149.6 + 0.6 /- 0.2	141.6 + 0.5 /- 0.1	0.390 kg (0.860 lb.)
RF-01-AB/09	165.3 + 0.65/- 0.2	157.3 + 0.55/- 0.1	0.430 kg (0.948 lb.)
RF-01-AB/10	181 + 0.7 /- 0.2	173 + 0.6 /- 0.1	0.470 kg (1.036 lbs.)
RF-01-AB/11	196.7 + 0.75/- 0.2	188.7 + 0.65/- 0.1	0.510 kg (1.124 lbs.)
RF-01-AB/12	212.4 + 0.8 /- 0.2	204.4 + 0.7 /- 0.1	0.550 kg (1.212 lbs.)

Dimensions for manifolds

RF-01-CD

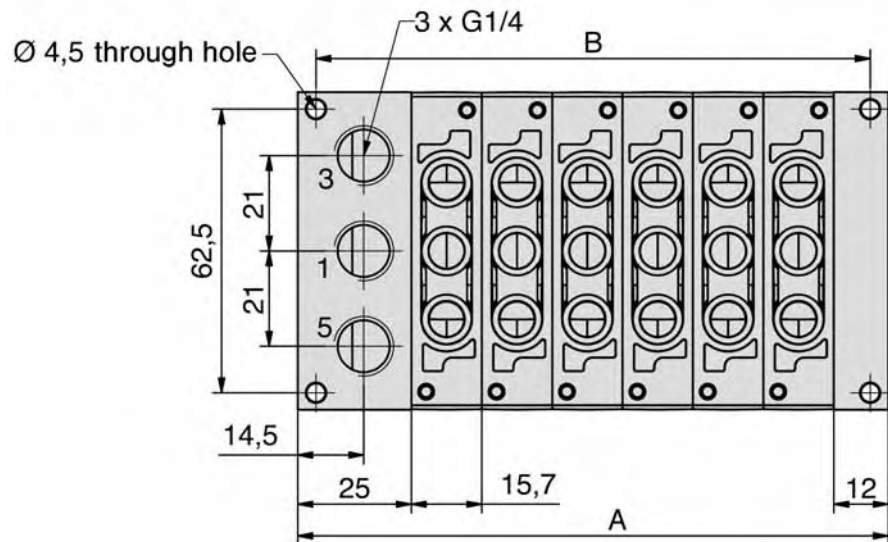
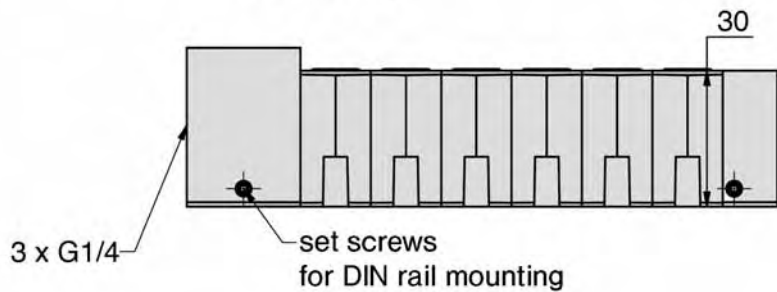
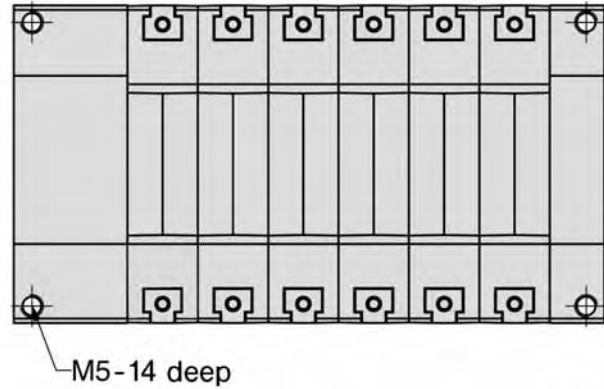
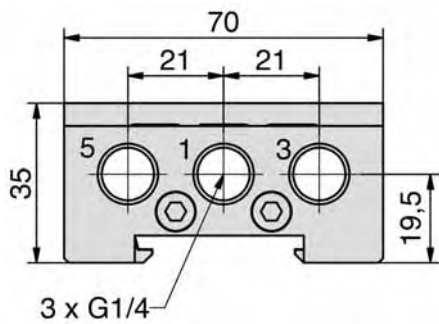


Materials: End plate Al (anodized), 1 station element PA,
Seals NBR, Screws steel zinc plated

Order number	A	B	Weight
RF-01-CD/02	81.4 + 0.3 /- 0.2	73.4 + 0.2 /- 0.1	0.300 kg (0.661 lb.)
RF-01-CD/03	97.1 + 0.35/- 0.2	89.1 + 0.25/- 0.1	0.340 kg (0.750 lb.)
RF-01-CD/04	112.8 + 0.4 /- 0.2	104.8 + 0.3 /- 0.1	0.380 kg (0.838 lb.)
RF-01-CD/05	128.5 + 0.45/- 0.2	120.5 + 0.35/- 0.1	0.420 kg (0.926 lb.)
RF-01-CD/06	144.2 + 0.5 /- 0.2	136.2 + 0.4 /- 0.1	0.460 kg (1.014 lbs.)
RF-01-CD/07	159.9 + 0.55/- 0.2	151.9 + 0.45/- 0.1	0.500 kg (1.102 lbs.)
RF-01-CD/08	175.6 + 0.6 /- 0.2	167.6 + 0.5 /- 0.1	0.540 kg (1.190 lbs.)
RF-01-CD/09	191.3 + 0.65/- 0.2	183.3 + 0.55/- 0.1	0.580 kg (1.278 lbs.)
RF-01-CD/10	207 + 0.7 /- 0.2	199 + 0.6 /- 0.1	0.620 kg (1.367 lbs.)
RF-01-CD/11	222.7 + 0.75/- 0.2	214.7 + 0.65/- 0.1	0.660 kg (1.455 lbs.)
RF-01-CD/12	238.4 + 0.8 /- 0.2	230.4 + 0.7 /- 0.1	0.700 kg (1.543 lbs.)

Dimensions for manifolds

RF-01-AD



Materials: End plate Al (anodized),
1 station element PA,
Seals NBR, Screws steel zinc plated

Order number	A	B	Weight
RF-01-AD/02	68.4 + 0.3 /- 0.2	60.4 + 0.2 /- 0.1	0.230 kg (0.507 lb.)
RF-01-AD/03	84.1 + 0.35/- 0.2	76.1 + 0.25/- 0.1	0.270 kg (0.595 lb.)
RF-01-AD/04	99.8 + 0.4 /- 0.2	91.8 + 0.3 /- 0.1	0.310 kg (0.683 lb.)
RF-01-AD/05	115.5 + 0.45/- 0.2	107.5 + 0.35/- 0.1	0.350 kg (0.772 lb.)
RF-01-AD/06	131.2 + 0.5 /- 0.2	123.2 + 0.4 /- 0.1	0.390 kg (0.860 lb.)
RF-01-AD/07	146.9 + 0.55/- 0.2	138.9 + 0.45/- 0.1	0.430 kg (0.948 lb.)
RF-01-AD/08	162.6 + 0.6 /- 0.2	154.6 + 0.5 /- 0.1	0.470 kg (1.036 lbs.)
RF-01-AD/09	178.3 + 0.65/- 0.2	170.3 + 0.55/- 0.1	0.510 kg (1.124 lbs.)
RF-01-AD/10	194 + 0.7 /- 0.2	186 + 0.6 /- 0.1	0.550 kg (1.212 lbs.)
RF-01-AD/11	209.7 + 0.75/- 0.2	201.7 + 0.65/- 0.1	0.590 kg (1.301 lbs.)
RF-01-AD/12	225.4 + 0.8 /- 0.2	217.4 + 0.7 /- 0.1	0.630 kg (1.389 lbs.)

Accessories for series

BM-02, BME-02

Manifolds



Manifold will be delivered completely assembled with valves if requested.



Manifold with n/stations. Ports on the side.
RF-02-AB/n



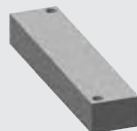
Manifold with n/stations. Ports on the side and the top.
RF-02-CD/n



Manifold with n/stations. Ports on both sides and top.
RF-02-AD/n



One station element.
RF-02-Z



Blind plate for blank valve station.
RF-02-V



Adapter plate for additional air supply and exhaust.
RF-02-PE



End plate A with side ports.
RF-02-EA



End plate B with side ports.
RF-02-EB



End plate C with side and top ports.
RF-02-EC



End plate D with side and top ports.
RF-02-ED

Additional single elements: **RF-02-ZE** "Add-on" element to add one valve station.
RF-02-DT Seal plate for two different pressures.
RF-02-RSV Check valve for dynamic exhaust pressures.
RF-01-M5 Mounting bolt (1 pair)

User information

Modular manifold system for valve series BM-01. The assembled manifold consists of one station elements (RF-01-Z) and end plates with common supply and exhaust ports. The end plates contain ports to the side (RF-01-EA, RF-01-EB) or at the top and the side (RF-01-EC, RF-01-ED).

The manifolds are quickly assembled with the 4 screws and a hexagonal nut. Adding or removing stations is possible at any time.

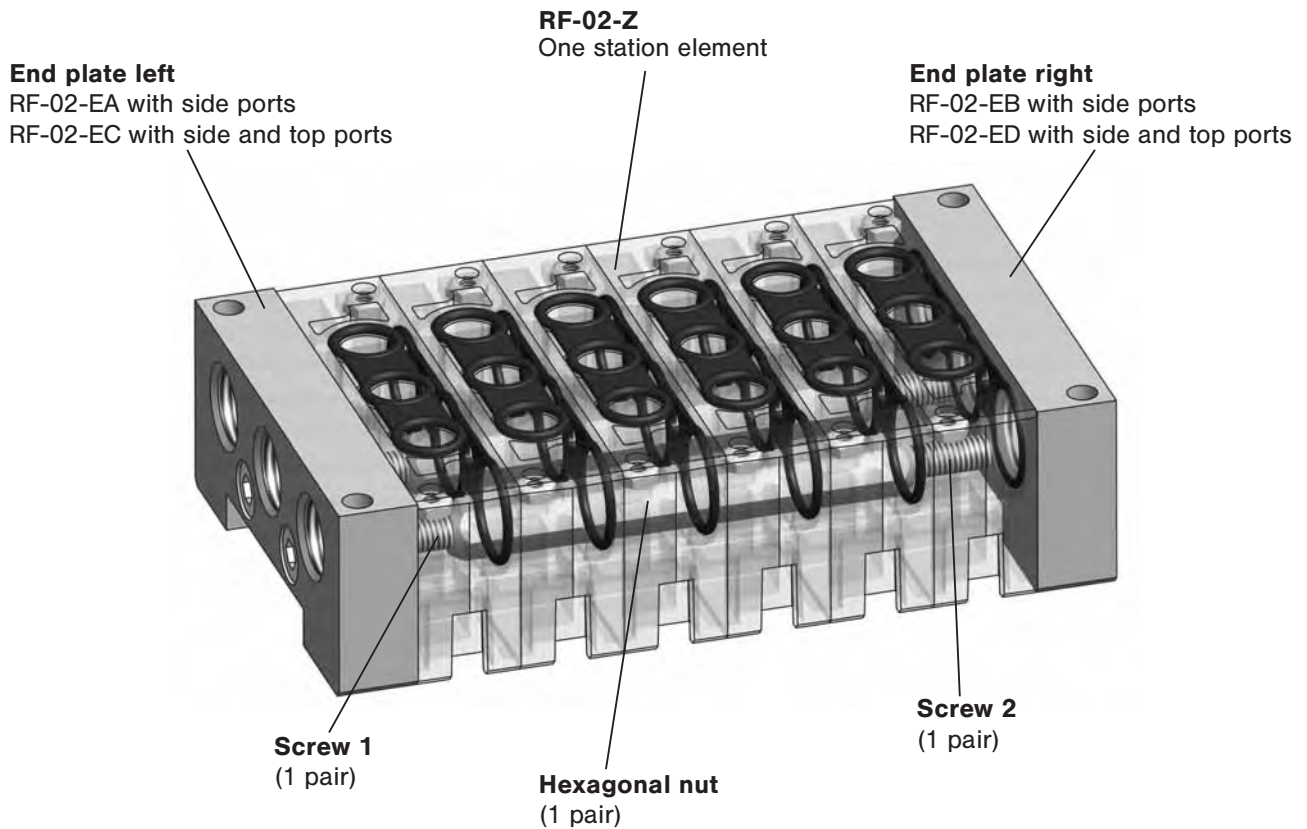
The manifold can be either DIN-rail mounted, screw on by 4 M5 screws or flange mounting via M4 screws.

The necessary seals and screws for valve mounting are included in the scope of delivery.

Accessories for series

BM-02, BME-02

Manifold design



User information

To add stations to the manifold without changing screws and nut, the set RF-01-ZE is available. This contains a one station element, a screw to extend the hexagonal nut and seals and screws for valve mounting.

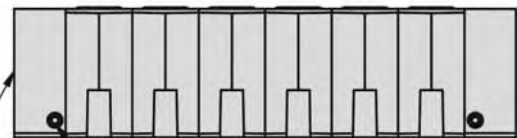
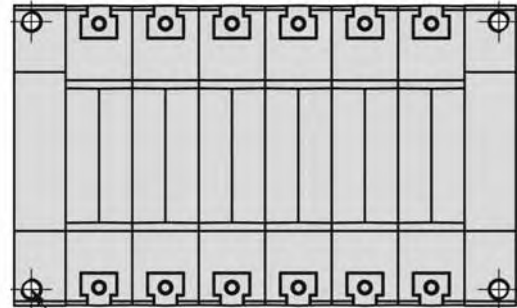
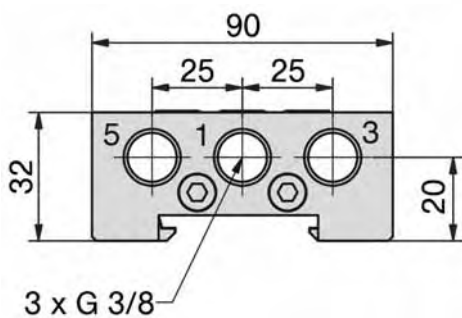
Order number	Hexagonal nut	Screw 1	Screw 2
RF-02-AB/02	21-R-07-07/05	M 5 x 20	M 5 x 20
RF-02-AB/03	21-R-07-07/05	M 5 x 30	M 5 x 30
RF-02-AB/04	21-R-07-07/2	M 5 x 20	M 5 x 20
RF-02-AB/05	21-R-07-07/2	M 5 x 30	M 5 x 30
RF-02-AB/06	21-R-07-07/2	M 5 x 40	M 5 x 40
RF-02-AB/07	21-R-07-07/4	M 5 x 20	M 5 x 20
RF-02-AB/08	21-R-07-07/4	M 5 x 30	M 5 x 30
RF-02-AB/09	21-R-07-07/4	M 5 x 40	M 5 x 40
RF-02-AB/10	21-R-07-07/6	M 5 x 16	M 5 x 16
RF-02-AB/11	21-R-07-07/6	M 5 x 25	M 5 x 25
RF-02-AB/12	21-R-07-07/6	M 5 x 35	M 5 x 35

Order number	Hexagonal nut	Screw 1	Screw 2
RF-02-CD/02	21-R-07-07/05	M 5 x 35	M 5 x 35
RF-02-CD/03	21-R-07-07/05	M 5 x 45	M 5 x 45
RF-02-CD/04	21-R-07-07/2	M 5 x 35	M 5 x 35
RF-02-CD/05	21-R-07-07/2	M 5 x 45	M 5 x 45
RF-02-CD/06	21-R-07-07/2	M 5 x 55	M 5 x 55
RF-02-CD/07	21-R-07-07/4	M 5 x 30	M 5 x 30
RF-02-CD/08	21-R-07-07/4	M 5 x 40	M 5 x 40
RF-02-CD/09	21-R-07-07/4	M 5 x 50	M 5 x 50
RF-02-CD/10	21-R-07-07/6	M 5 x 30	M 5 x 30
RF-02-CD/11	21-R-07-07/6	M 5 x 40	M 5 x 40
RF-02-CD/12	21-R-07-07/6	M 5 x 50	M 5 x 50

Order number	Hexagonal nut	Screw 1	Screw 2
RF-02-AD/02	21-R-07-07/05	M 5 x 20	M 5 x 35
RF-02-AD/03	21-R-07-07/05	M 5 x 30	M 5 x 45
RF-02-AD/04	21-R-07-07/2	M 5 x 20	M 5 x 35
RF-02-AD/05	21-R-07-07/2	M 5 x 30	M 5 x 45
RF-02-AD/06	21-R-07-07/2	M 5 x 40	M 5 x 55
RF-02-AD/07	21-R-07-07/4	M 5 x 20	M 5 x 30
RF-02-AD/08	21-R-07-07/4	M 5 x 30	M 5 x 40
RF-02-AD/09	21-R-07-07/4	M 5 x 40	M 5 x 50
RF-02-AD/10	21-R-07-07/6	M 5 x 16	M 5 x 30
RF-02-AD/11	21-R-07-07/6	M 5 x 25	M 5 x 40
RF-02-AD/12	21-R-07-07/6	M 5 x 35	M 5 x 50

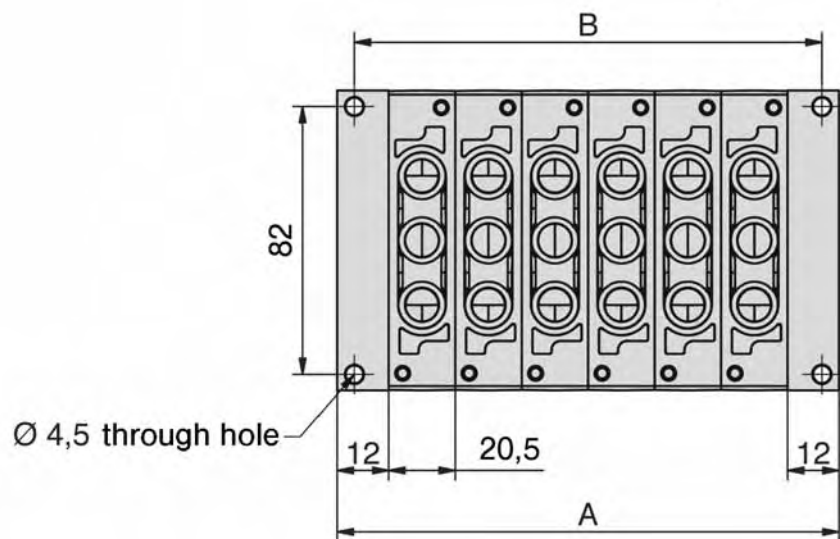
Dimensions for manifolds

RF-02-AB



3 x G 3/8

set screws
for DIN rail mounting

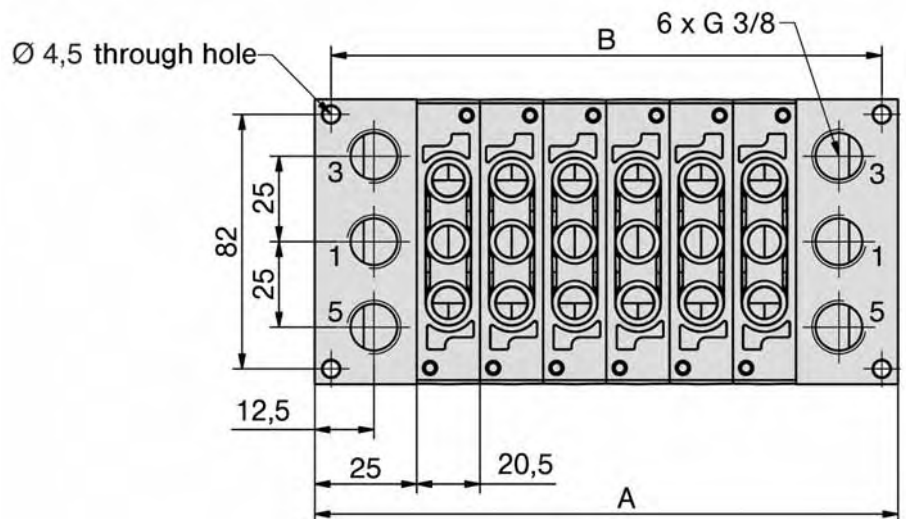
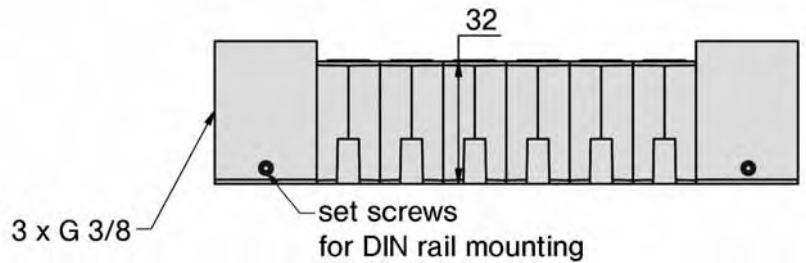
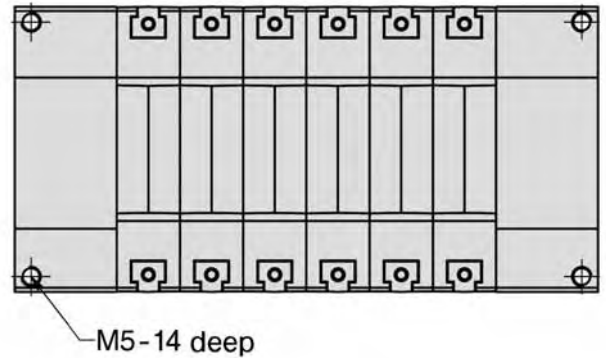
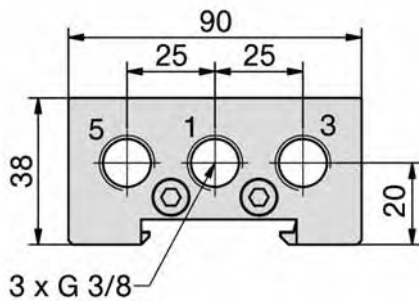


Materials: End plate Al (anodized), 1 station element PA,
Seals NBR, Screws steel zinc plated

Order number	A	B	Weight
RF-02-AB/02	65 ± 0.3	57 ± 0.3	0.230 kg (0.507 lb.)
RF-02-AB/03	85.5 ± 0.35	77.5 ± 0.35	0.270 kg (0.595 lb.)
RF-02-AB/04	106 ± 0.4	98 ± 0.4	0.310 kg (0.683 lb.)
RF-02-AB/05	126.5 ± 0.45	118.5 ± 0.45	0.350 kg (0.772 lb.)
RF-02-AB/06	147 ± 0.5	139 ± 0.5	0.390 kg (0.860 lb.)
RF-02-AB/07	167.5 ± 0.55	159.5 ± 0.55	0.430 kg (0.948 lb.)
RF-02-AB/08	188 ± 0.6	180 ± 0.6	0.470 kg (1.036 lbs.)
RF-02-AB/09	208.5 ± 0.65	200.5 ± 0.65	0.510 kg (1.124 lbs.)
RF-02-AB/10	229 ± 0.7	221 ± 0.7	0.550 kg (1.212 lbs.)
RF-02-AB/11	249.5 ± 0.75	241.5 ± 0.75	0.590 kg (1.301 lbs.)
RF-02-AB/12	270 ± 0.8	262 ± 0.8	0.630 kg (1.389 lbs.)

Dimensions for manifolds

RF-02-CD

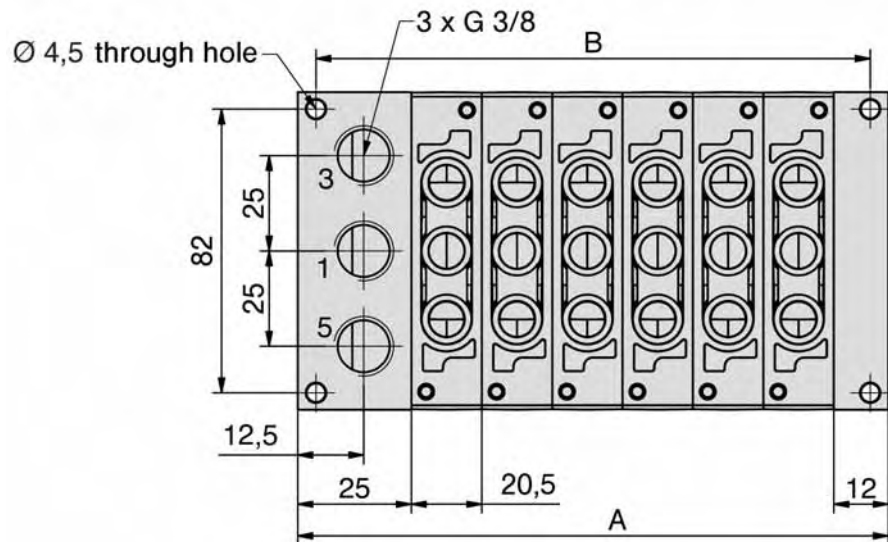
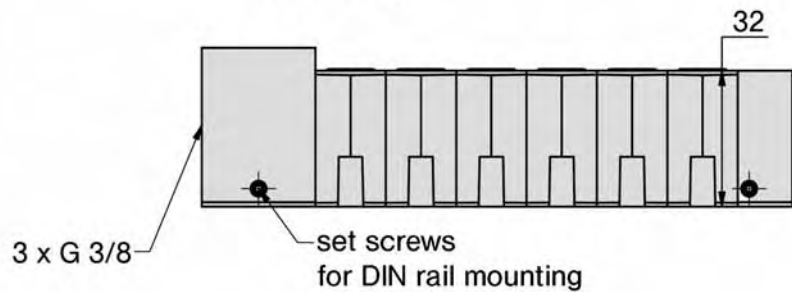
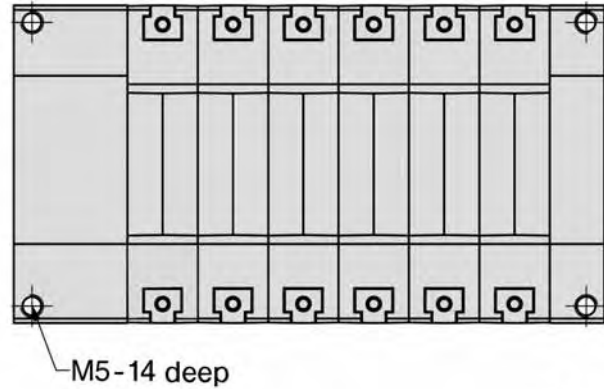
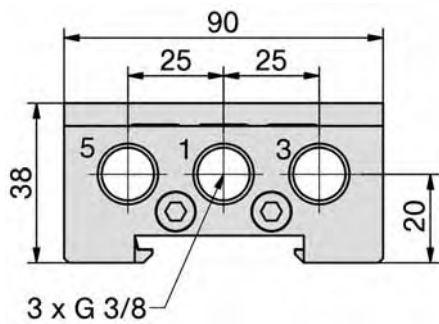


Materials: End plate Al (anodized), 1 station element PA,
Seals NBR, Screws steel zinc plated

Order number	A	B	Weight
RF-02-CD/02	91 ± 0.3	83 ± 0.3	0.420 kg (0.926 lbs.)
RF-02-CD/03	111.5 ± 0.35	103.5 ± 0.35	0.460 kg (1.014 lbs.)
RF-02-CD/04	132 ± 0.4	124 ± 0.4	0.500 kg (1.102 lbs.)
RF-02-CD/05	152.5 ± 0.45	144.5 ± 0.45	0.540 kg (1.190 lbs.)
RF-02-CD/06	173 ± 0.5	165 ± 0.5	0.580 kg (1.279 lbs.)
RF-02-CD/07	193.5 ± 0.55	185.5 ± 0.55	0.620 kg (1.367 lbs.)
RF-02-CD/08	214 ± 0.6	206 ± 0.6	0.660 kg (1.455 lbs.)
RF-02-CD/09	234.5 ± 0.65	226.5 ± 0.65	0.700 kg (1.543 lbs.)
RF-02-CD/10	255 ± 0.7	247 ± 0.7	0.740 kg (1.631 lbs.)
RF-02-CD/11	275.5 ± 0.75	267.5 ± 0.75	0.780 kg (1.719 lbs.)
RF-02-CD/12	296 ± 0.8	288 ± 0.8	0.820 kg (1.808 lbs.)

Dimensions for manifolds

RF-02-AD



Materials: End plate Al (anodized),
1 station element PA,
Seals NBR, Screws steel zinc plated

Order number	A	B	Weight
RF-02-AD/02	78 ± 0.3	70 ± 0.3	0.320 kg (0.705 lb.)
RF-02-AD/03	98.5 ± 0.35	90.5 ± 0.35	0.360 kg (0.794 lb.)
RF-02-AD/04	119 ± 0.4	111 ± 0.4	0.400 kg (0.882 lb.)
RF-02-AD/05	139.5 ± 0.45	131.5 ± 0.45	0.440 kg (0.970 lb.)
RF-02-AD/06	160 ± 0.5	152 ± 0.5	0.480 kg (1.058 lbs.)
RF-02-AD/07	180.5 ± 0.55	172.5 ± 0.55	0.520 kg (1.146 lbs.)
RF-02-AD/08	201 ± 0.6	193 ± 0.6	0.560 kg (1.234 lbs.)
RF-02-AD/09	221.5 ± 0.65	213.5 ± 0.65	0.600 kg (1.323 lbs.)
RF-02-AD/10	242 ± 0.7	234 ± 0.7	0.640 kg (1.411 lbs.)
RF-02-AD/11	262.5 ± 0.75	254.5 ± 0.75	0.680 kg (1.499 lbs.)
RF-02-AD/12	283 ± 0.8	275 ± 0.8	0.720 kg (1.587 lbs.)